

HSF

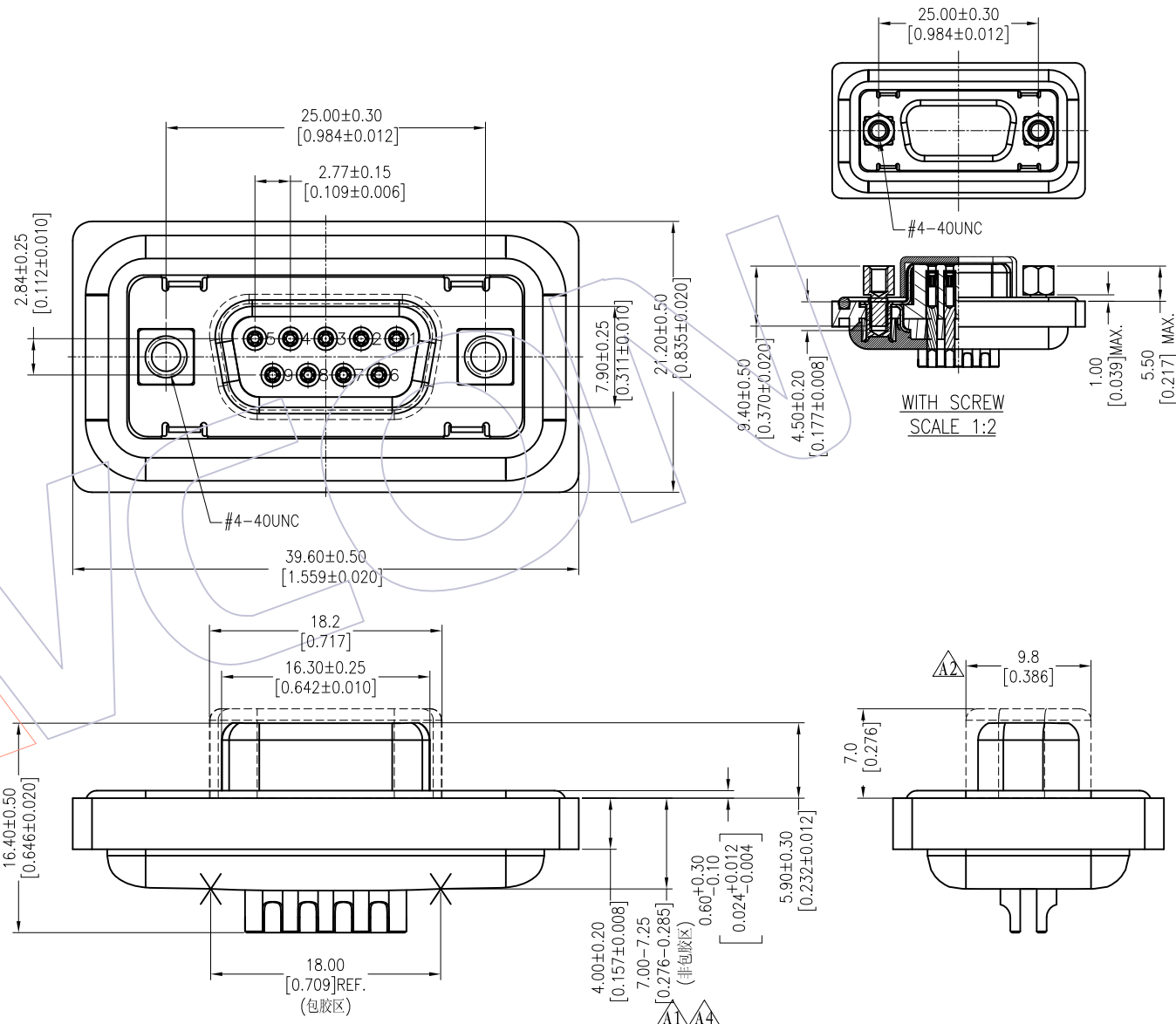
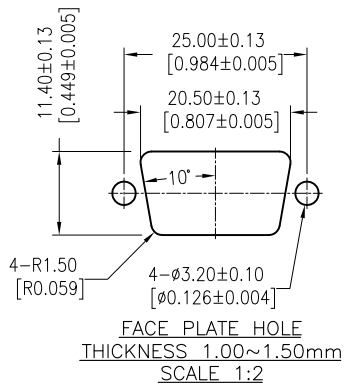
NOTES:

1. ELECTRICAL:
 - 1.1 CONTACT CURRENT RATING: 5 AMPERES
 - 1.2 CONTACT RESISTANCE: 10 MILLIOHMS MAX.
 - 1.3 DIELECTRIC WITHSTANDING VOLTAGE: 800V AC FOR 1MINUTE
 - 1.4 INSULATION RESISTANCE: 5000 MEGOHMS MIN AT 500V DC
2. MECHANICAL:
 - 2.1 INSERTION FORCE: 340 g/f MAX
 - 2.2 SEPARATION FORCE: 21 g/f MIN
 - 2.3 SCREW COUNTER TORSION FORCE: 5.0 KgF.cm MIN.
3. ENVIRONMENTAL:
 - 3.1 TEMPERATURE RATING: -40°C TO +85°C.
 - 3.2 WATERPROFF CLASS: IP67
 - 3.3 AIRPROOF CAPABILITY: PRESSURE DROP 0.3 KPa MAX. AT 52.2 KPa FOR 3 MINUTE.
4. WIRE RANGE: 20#~24#
5. ALL MATERIALS SHOULD BE COMPLIANT TO ROHS

Ordering Information

6241-09 F L XX X B X 1

No. of Pins: 09
 Contact Plating: G0=Gold Flash, G3=10u"Gold, G4=12u"Gold, G5=30u"Gold
 Waterproof Circle: F=With Front Waterproof Circle, B=With Back Waterproof Circle
 Color: B=Black, N=Without Cap, W=With Cap



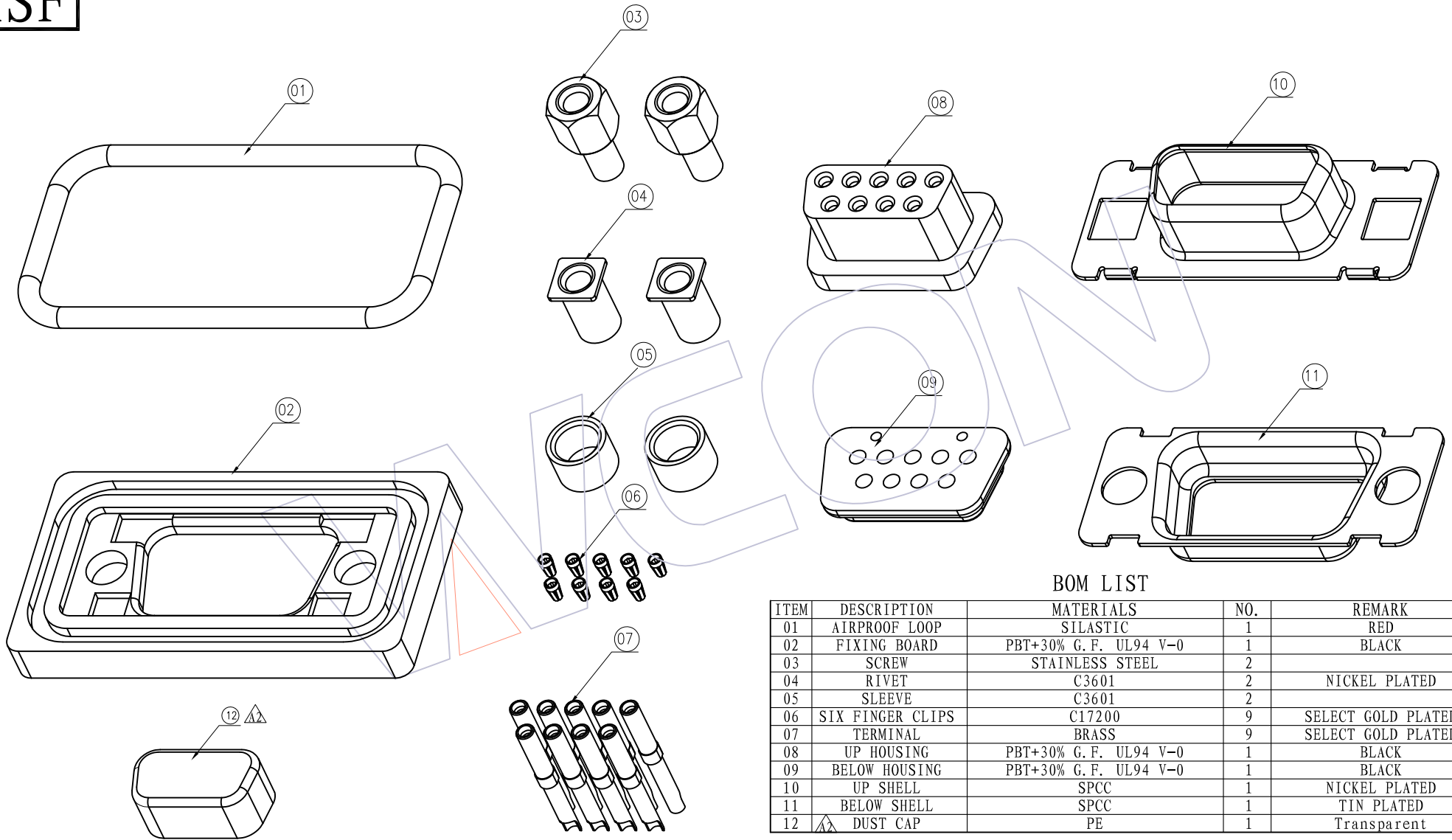
REV	DATE	MODIFICATION DESCRIPTION	CHANGE	OPERATION	DRAW	DATE	SCALE	FIT	PART NO.
A4	2015/07/16	MODIFY	△△	OPERATION	DRAW	DATE	SCALE	FIT	PART NO.
A3	2014/02/19	MODIFY G4=15u"Gold TO G4=12u"Gold	△△	X.X ±0.40	Allen	2015/07/16	UNIT	mm	6241-09FLXXFBX1
A2	2014/01/14	ADD THE DUST CAP	△△	X.XX ±0.25	CHECK	DATE	SIZE	A4	TITLE:
A0	2013/04/25	NEW	—	X.XXX ±0.15	APPROVE	DATE	SHEET	1/2	D-SUB 9P FEMALE DUAL ROWS
				Angle ± 3'			PROJ.	↗	180° SOLDER TYPE WITH WATERPROFF
				DIM TOL					Customer NO.

WCON
 Http: www.wcon.com

WCON-Dongguan Tel: +86 769 85358920
 Fax: +86 769 85358915
 E-mail: sales@wcon.com

WCON-Kunshan Tel: +86 512 57468408
 Fax: +86 512 57468468
 E-mail: salesks@wcon.com

HSF



BOM LIST

ITEM	DESCRIPTION	MATERIALS	NO.	REMARK
01	AIRPROOF LOOP	SILASTIC	1	RED
02	FIXING BOARD	PBT+30% G. F. UL94 V-0	1	BLACK
03	SCREW	STAINLESS STEEL	2	
04	RIVET	C3601	2	NICKEL PLATED
05	SLEEVE	C3601	2	
06	SIX FINGER CLIPS	C17200	9	SELECT GOLD PLATED
07	TERMINAL	BRASS	9	SELECT GOLD PLATED
08	UP HOUSING	PBT+30% G. F. UL94 V-0	1	BLACK
09	BELOW HOUSING	PBT+30% G. F. UL94 V-0	1	BLACK
10	UP SHELL	SPCC	1	NICKEL PLATED
11	BELOW SHELL	SPCC	1	TIN PLATED
12	DUST CAP	PE	1	Transparent

REV	DATE	MODIFICATION DESCRIPTION	CHANGE	OPERATION	DRAW	DATE	SCALE	FIT	PART NO.
A4	2015/07/16	MODIFY	△△	OPERATION	DRAW	DATE	SCALE	FIT	PART NO.
A3	2014/02/19	MODIFY G4=15u"Gold TO G4=12u"Gold	△△	X.X ±0.40	Allen	2015/07/16	UNIT	mm	6241-09FLXXFBX1
A2	2014/01/14	ADD THE DUST CAP	△△	X.XX ±0.25	CHECK	DATE	SIZE	inch	TITLE:
A0	2013/04/25	NEW	—	X.XXX ±0.15	APPROVE	DATE	SHEET	2/2	D-SUB 9P FEMALE DUAL ROWS
				Angle ± 3'			PROJ.	↺	180° SOLDER TYPE WITH WATERPROFF
				DIM TOL					Customer NO.

WCON

Http: www.wcon.com

WCON-Dongguan Tel: +86 769 85358920 Fax: +86 769 85358915 E-mail: sales@wcon.com

WCON-Kunshan Tel: +86 512 57468408 Fax: +86 512 57468468 E-mail: salesks@wcon.com